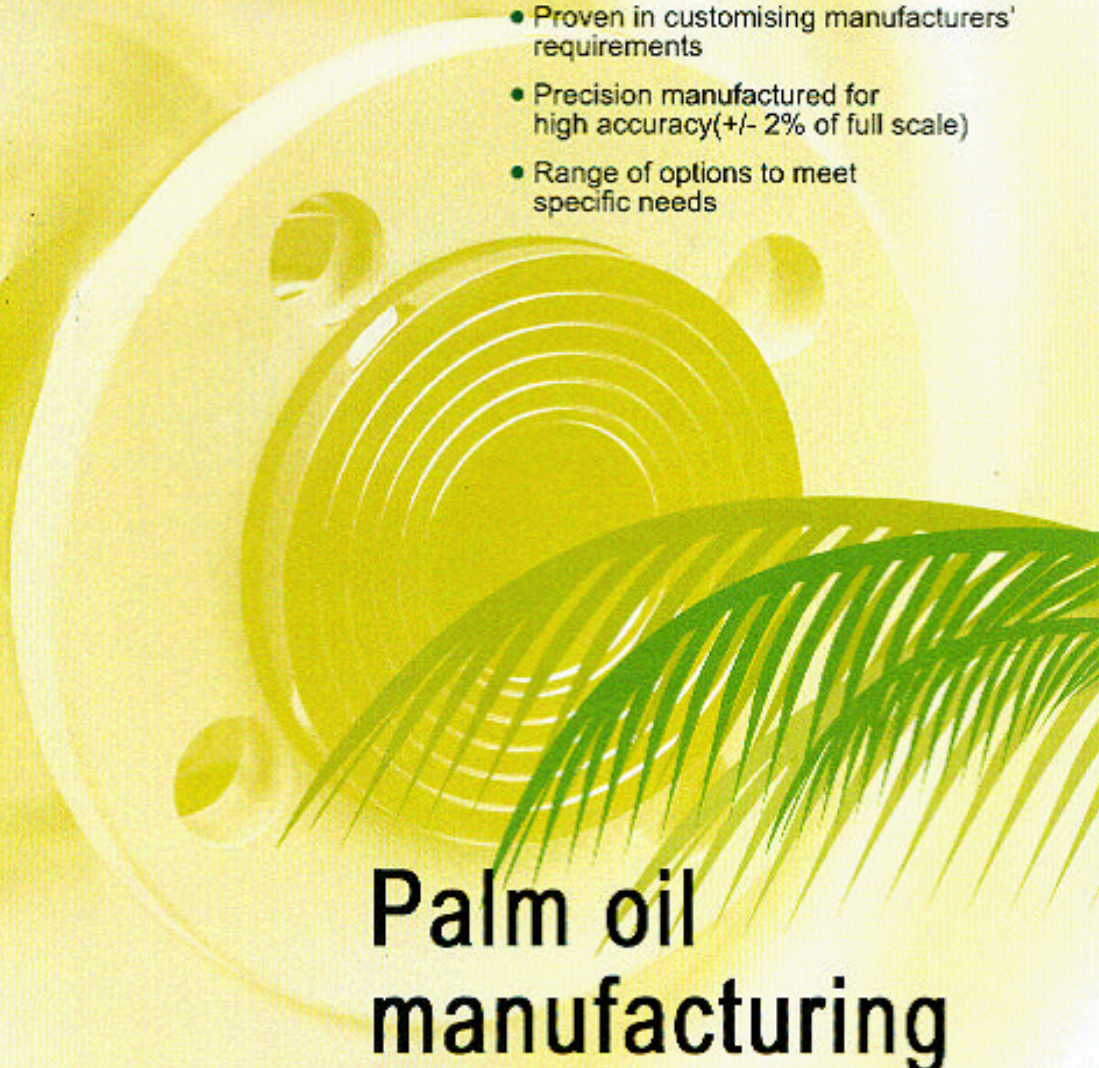




Flow Measurement Solutions

- Proven in customising manufacturers' requirements
- Precision manufactured for high accuracy($\pm 2\%$ of full scale)
- Range of options to meet specific needs

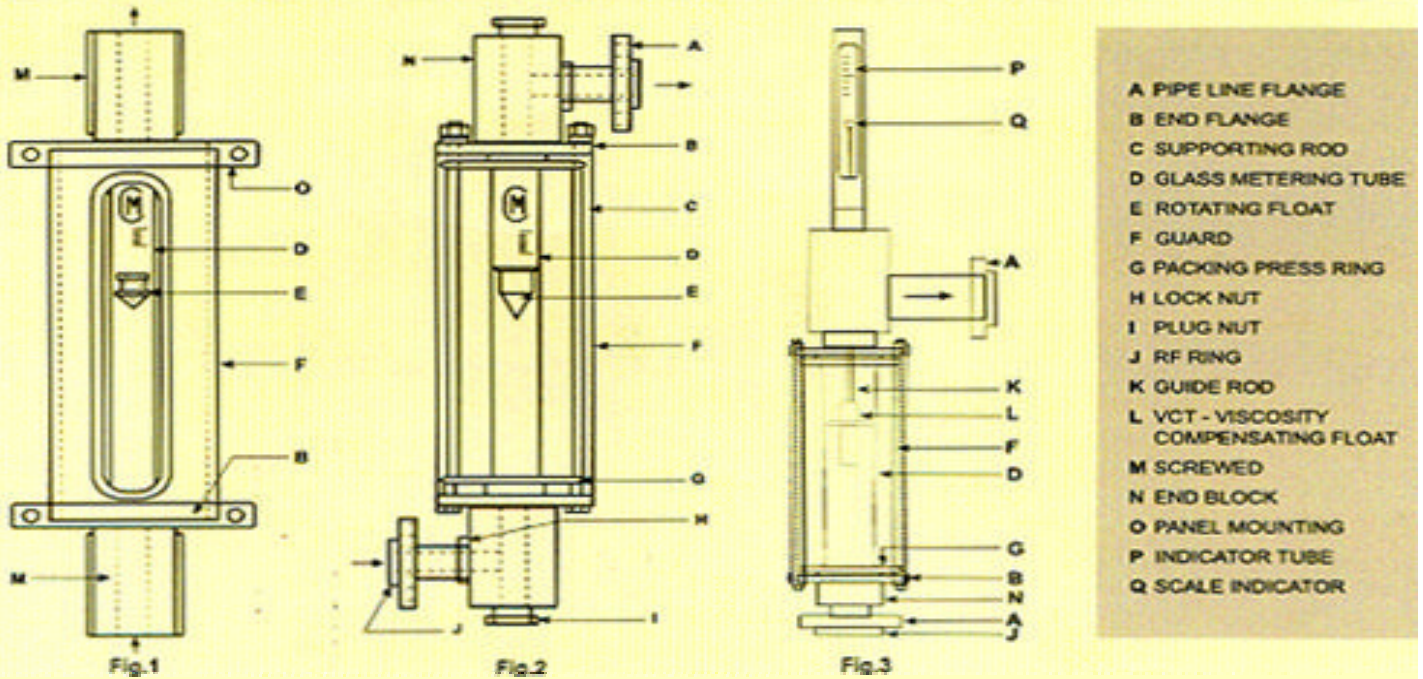


**Palm oil
manufacturing**

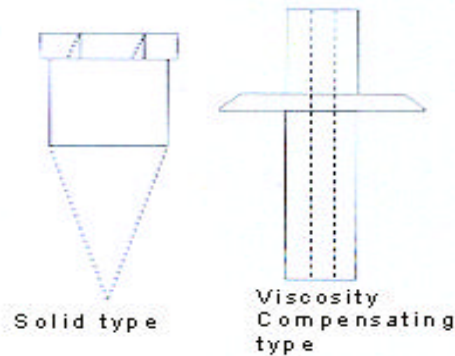
CM FLOW METERS

A measure of trust

Frames



Floats



| Floats (SS) | Range (kg/hr.) | Frame (MS/SS) |
|-------------|----------------|----------------|
| ST | 6-60 | Fig. 1/ Fig. 2 |
| ST | 10-100 | Fig.1 /Fig.2 |
| ST | 30-300 | Fig.1 /Fig.2 |
| ST | 60-600 | Fig.1 /Fig.2 |

| Float (SS) | Range (kg/hr.) | Frame (SS) |
|------------|----------------|------------|
| VCT | 75-750 | Fig. 3 |
| VCT | 150-1500 | Fig. 3 |
| VCT | 300-3000 | Fig. 3 |
| VCT | 600-6000 | Fig. 3 |

INFORMATION NEEDED FOR QUOTATION

| | |
|----------------------|---|
| RANGE OF FLOW | Maximum, minimum, working |
| NATURE OF FLUID | If not a common material, its chemical & physical properties, corrosion characteristic, to enable selection of right construction material. |
| PHYSICAL PROPERTIES | Temperature, pressure, density and viscosity under working conditions. |
| END CONNECTIONS | Size of flanges, screwed ends or nipple, direction of entry and exit of fluid etc. A simple sketch should be provided. |
| SPECIAL REQUIREMENTS | Need for protective guard, preference of gasket material, float material etc. limitation of length in existing pipe line if any. |



CM FLOWMETERS (INDIA) PVT. LTD.

Plot 2, Phase III kasba Industrial Estate Kolkata 700 107 India
 Phone: 91-33-2442 1456, 2443 0201, Fax: 91-33-2443 0201
 E Mail: cmflowmeters@vsnl.net
 Url: www.cmflowmeters.com